



NEW!

Hydraulic Billet Trim Tabs

Made from marine grade aluminum
Electronic trim indication
Private label and powder coat finish available



750 ■ 850 ■ 950 ■ 975 ■ 1025 ■ 1050 ■ 1150

Performance Boats - Center Consoles
Cruisers - Work Boats
Military and Government Boats



1050

Our #1 Selling Trim Tab



847-752-2700
sales@livorsi.com
www.livorsi.com

Features



- Available in 11 powder coat colors & with private labeling
- Available with 4" or 6" Underwater LED lights in **white, blue, red, or green.**
- For use on boats 20 – 50 feet
- Tabs are CNC machined from billet aluminum, no casting
- Tabs are Mil-Spec hard coat anodized to prevent corrosion
- Five anodes for complete saltwater protection
- All hinge pins and hardware are stainless steel
- Adjust transom angles without the use of special tools
- Bolt patterns include Mercury or a smaller Livorsi bolt pattern for center consoles
- Hydraulic cylinders designed for 1500 PSI working pressure with dual seals
- Plug and play LED electronic position indicators
- **All transom plates are interchangeable with tab running plates**

750 Performance Kits	
TTK750ML	Mechanical cable Livorsi Transom Plate 16X10"
TTK-750MM	Mechanical cable Merc Transom Plate 16X10"
TTK750EL	Electric Trim Livorsi Transom Plate 16X10"
TTK750EM	Electric Trim Merc Transom Plate 16X10"

172 sq. in. per tab

750



- 20-30' Boats

850 Military Kits	
TTK850ML	Mechanical cable Livorsi Transom Plate 16X14"
TTK850EL	Electric Trim Livorsi Transom Plate 16X14"

203 sq. in. per tab

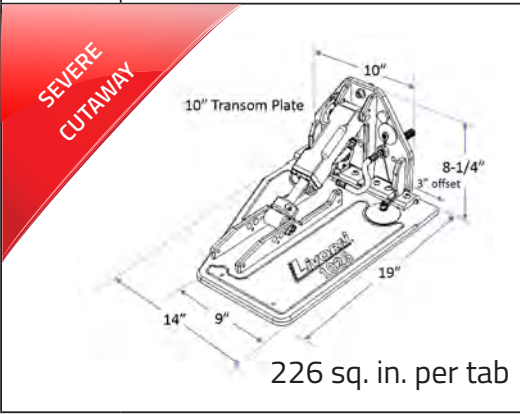
850



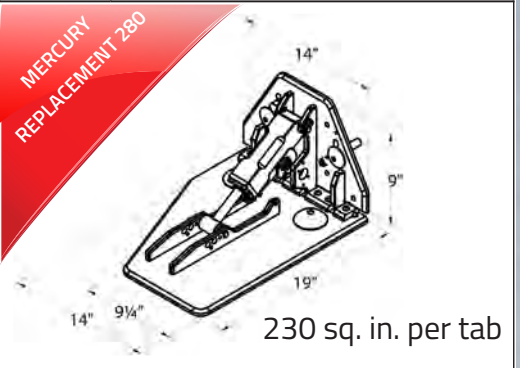
- Workboats & Cruisers
25-35' Boats

More Trim Tab Models

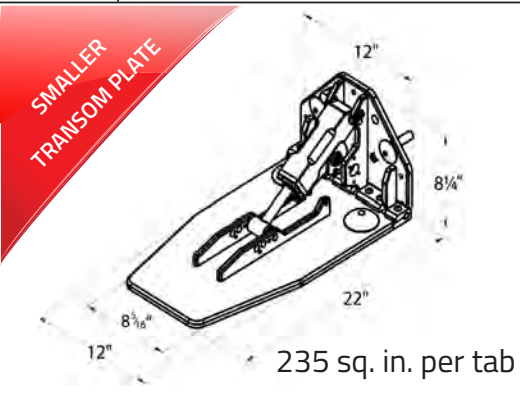
1025 Performance Kits (Available in 10" & 12" Transom Plt.)	
TTK1025ML	Mechanical cable Livorsi Transom Plate 19X10"
TTK1025MM	Mechanical cable Merc Transom Plate 19X10"
TTK1025EL	Electric Trim Livorsi Transom Plate 19X10"
TTK1025EM	Electric Trim Merc Transom Plate 19X10"



950 Mercury Replacement Kits for 280S	
TTK950ML	Mechanical cable Livorsi Transom Plate 20X9"
TTK950MM	Mechanical cable Merc Transom Plate 20X9"
TTK950EL	Electric Trim Livorsi Transom Plate 20X9"
TTK950EM	Electric Trim Merc Transom Plate 20X9"



1050 Performance Kits (Available in stepped hull design)	
TTK1050ML	Mechanical cable Livorsi Transom Plate 22X12"
TTK1050MM	Mechanical cable Merc Transom Plate 22X12"
TTK1050EL	Electric Trim Livorsi Transom Plate 22X12"
TTK1050EM	Electric Trim Merc Transom Plate 22X12"



1025



- Severe cutaway allows tabs to be moved out 3" (each side) for triples & quads
- Benefits include: Maximizing water cooling & Minimizing prop aeration

950



- Available in 10 & 12 inch transom plates

*975 Tab is NOT shown in this flyer

Now available with:

1050

- LED Underwater Lights
- Powder coat finish
- Custom logos

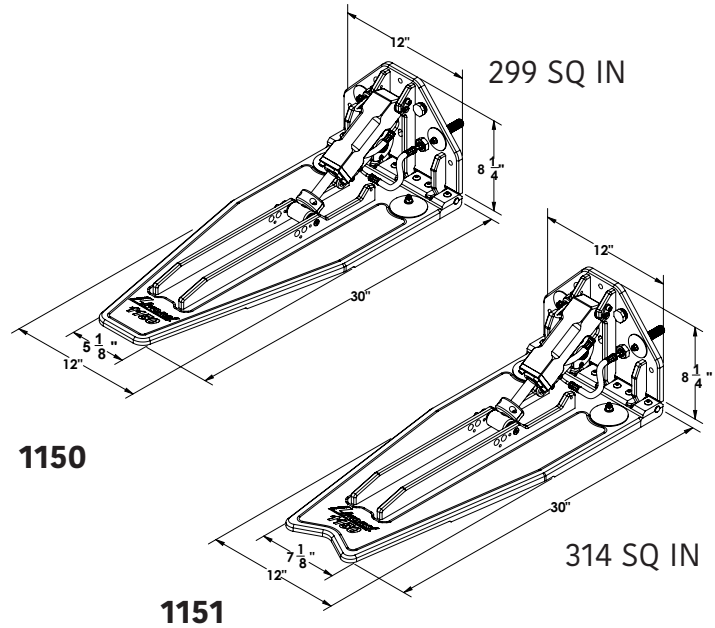


Garmin Panoptix™ PS30 Down Transducer

Stepped Trim Tabs

Features

- Increased aeration of tab surface
- Reduces drag & increases efficiency
- Provides increased fuel economy & performance
- Stepped bottom design allows tab to release and re-enter the water stream faster for performance based applications **1150**



2 STYLE OPTIONS

FISH TAIL PICTURED
RUNNING SURFACE 314 SQ IN

Stainless Steel Hoses

Hoses purchased separately



Part Numbers	
30 inches	SSBH30IN
36 inches	SSBH36IN
48 inches	SSBH48IN
60 inches	SSBH60IN
72 inches	SSBH72IN
90 inches	SSBH90IN
19 feet	SSBH19FT
21 feet	SSBH21FT

Inverted Flare Ends	
30 inches	SSBH30IN-1
36 inches	SSBH36IN-1
48 inches	SSBH48IN-1
60 inches	SSBH60IN-1
72 inches	SSBH72IN-1
90 inches	SSBH90IN-1
19 feet	SSBH19FT-1
21 feet	SSBH21FT-1

Newly designed Parker Pumps (Made in the U.S.A.)



Compact design to fit
small spaces
(8.5"W X 11.5"H)

PART #
12V: PAK12V-2
24V: PAK24V



Electronic:
Reads position of trim tabs with
the use of electronic sensors.

These indicators are capable of reading
CAN Bus protocols such as SmartCraft®
(with Gateway), NMEA 2000® and analog
or resistive sensors.